


 **High Accuracy and repeatability**

 **Low Maintenance**

 **High Payload**

 **Cost-Effective**

 **Zero Footprint**

 **Integrated Vision and Conveyor Tracking**

 **Capable of Applying High Compressive Forces**

 **Scalable Workspace**

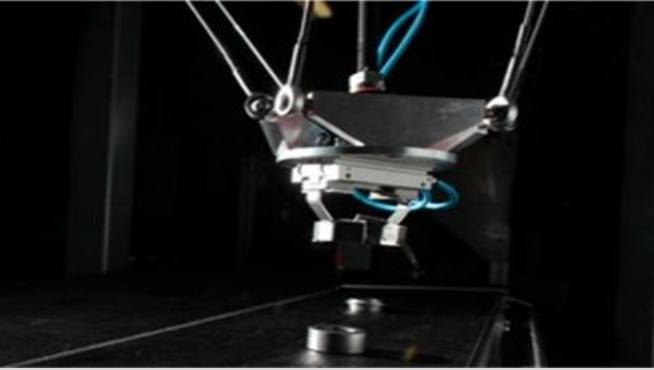
DeltaBot™ Specifications Sheet

DeltaBot™ is available in four standard models. Due to the patented cable architecture, DeltaBot™ is a fully scalable solution and custom work-envelopes/workspaces are available on request.

Parameter	DbX-400-200	DbX-800-250	DbX-1200-250	DbX-1600-250
Weight [Kg (lbs)]	60 ¹ (132)	160 (353)	160 (353)	170 (375)
Rated Payload [Kg (lbs)]	1 (2.2)	1 (2.2)	1 (2.2)	1 (2.2)
Maximum Payload [Kg (lbs)]	10	20	20	30
Repeatability [mm]	0.06	0.07	0.07	0.1
Accuracy [mm]	0.15	0.25	0.25	0.37
Speed [Cycles/minute] ²	120	120	120	100
Rated Current [A]	20	25	30	30
Rated Voltage [V]	208V/3 Phase – 50/60 Hz			
Number of Axes	3 Translational axes + 1 Optional Rotation Axis			
Mounting	Inverted			
Expansion Module	<ul style="list-style-type: none"> - Up to 2 GigE Camera Support - Additional 12 Digital Input/8 Digital Output 			
Protection	IP 65			
Options	<ul style="list-style-type: none"> - Integrated vision system - Conveyor tracking - Teach pendant - Food grade and wash-down designs 			

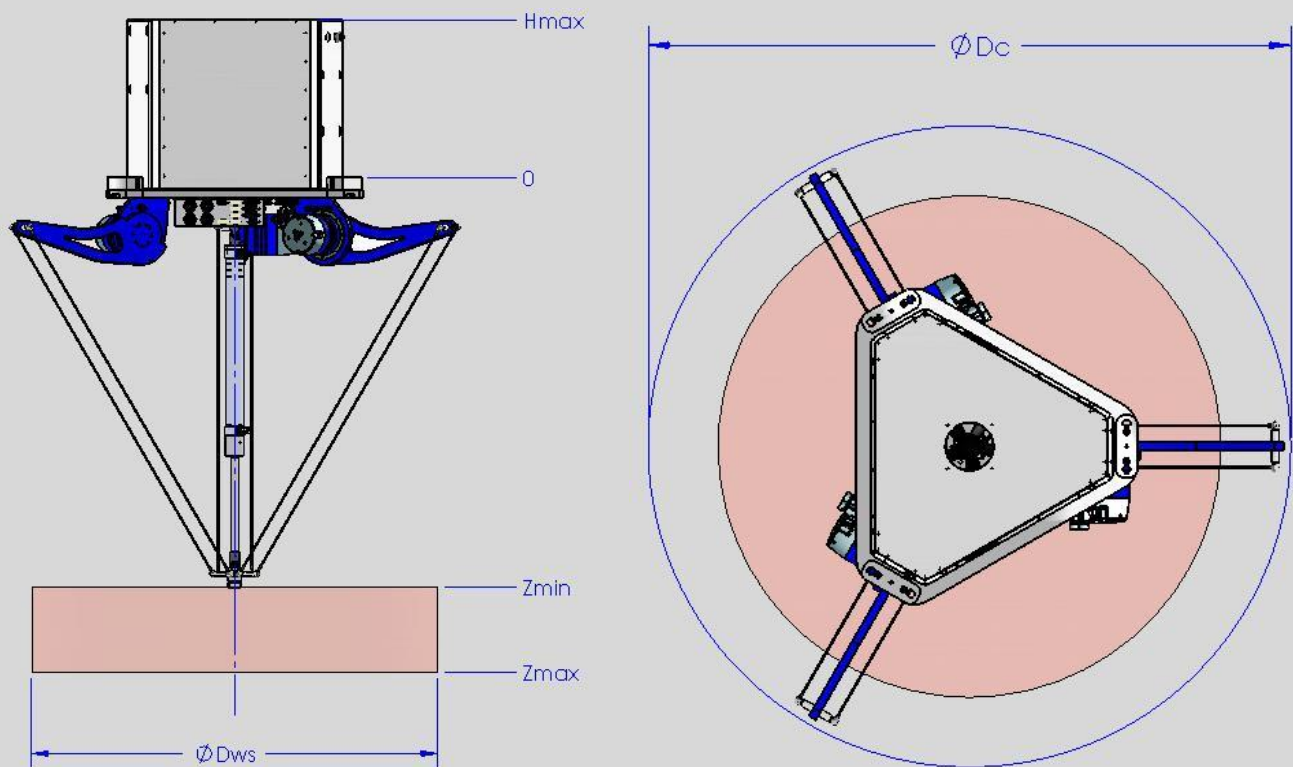
¹ The weight of the control panel is not included in total weight of model DbX-400-200 as the control panel is mounted separately from the robot. All other models have the controls mounted above the mounting plate to create a zero footprint configuration.

² The Cycles are measured at the rated load along a 25mm up, 300mm across, 25mm down, and return for DbX-400-200, and a 40mm up, 500mm across, 40mm down, and return path for the rest.



Workspace and Unit Dimensions

Dimension ³	DbX-400-200	DbX-800-250	DbX-1200-250	DbX-1600-250
Zmin [mm]	612	1009	1209	1210
Zmax [mm]	821	1259	1459	1460
Dws [mm]	400	800	1200	1600
Dc [mm]	640	1448	1510	1670
Hmax [mm]	N/A	467	467	467



³ The dimensions of the workspace are subject to change without notice.